



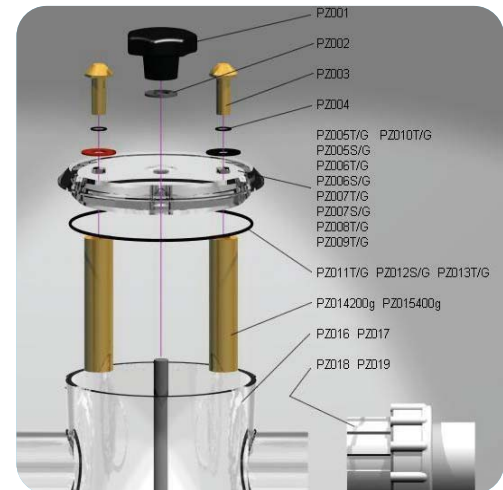
## Puronizer Ionic Purifier

# PURONIZER



**Product**  
Puronizer

**Description**  
The Puronizer system is a British manufactured ioniser for use in swimming pools. The Puronizer system brings to the pool owner a simple to use method of ensuring quality water, with very little effort, and no algae. From installation, the Puronizer works totally silently. As your pool water passes through the in line cell unit, copper and silver ions are released killing bacteria and algae.



# PURONIZER

Over 2000 years ago the Ancient Greeks found that algae did not grow in water stored in copper containers. They also discovered that it seemed to purify drinking water. It was not until the nineteenth century that the reasons were understood, and the process was established commercially.

If a member of your family suffers from a skin allergy from chlorine or is asthmatic or you find chlorine effects you, then the Puronizer under set conditions can be used without chlorine – take advice.

If you are away from home a lot or have a holiday home overseas a Puronizer ensures that when you return the water is just as clear and free of algae as when you left.

With over two decades of successful sales across the globe you can be assured your investment will give you years of service.

## CONDITIONS FOR OPERATION

- Voltage rate: 110v - 220v 50 and 60 Hz
- Maximum working pressure 2 bars
- Maximum working temp. 110F - 45c
- Pipe size: 1.5 BSP or 50mm plain
- Installation time less than 1.25 hours
- Flow rate through cell max 3000 gallon an hour (14000 litres)
- Installation handbook supplied with each unit.

## ADVANTAGES

- Reduces Chlorine - ideal for asthma sufferers
- Will keep water free from algae
- Reduces chlorine consumption by up to 60%
- Bather comfort improved, especially for asthmatic
- Ideal for indoor pools where chemical smells can be obtrusive
- Ideal for holiday homes where only occupied part time
- Far less water maintenance
- Low running costs
- For use with Zeoclere, Purity and all high grade filter media including sand and cartridge filters
- Unaffected by temperature or sunlight
- High quality manufacturing
- Designed for use in all parts of globe
- Ideal for Holiday homes abroad
- Free test kit

## SPECIFICATION

The Puronizer is available in 3 sizes.

- **MSI PB2CS** –  
for pools up to 20,000 gallons imp  
60cm x 60cm x 36cm – Weight 7kg
- **MSI PB4CS** –  
for pools up to 30,000 gallons imp  
60cm x 60cm x 36cm – Weight 7.5kg
- **MSI PB6CS** –  
for pools up to 40,000 gallons imp  
60cm x 60cm x 36cm – Weight 8.5kg

